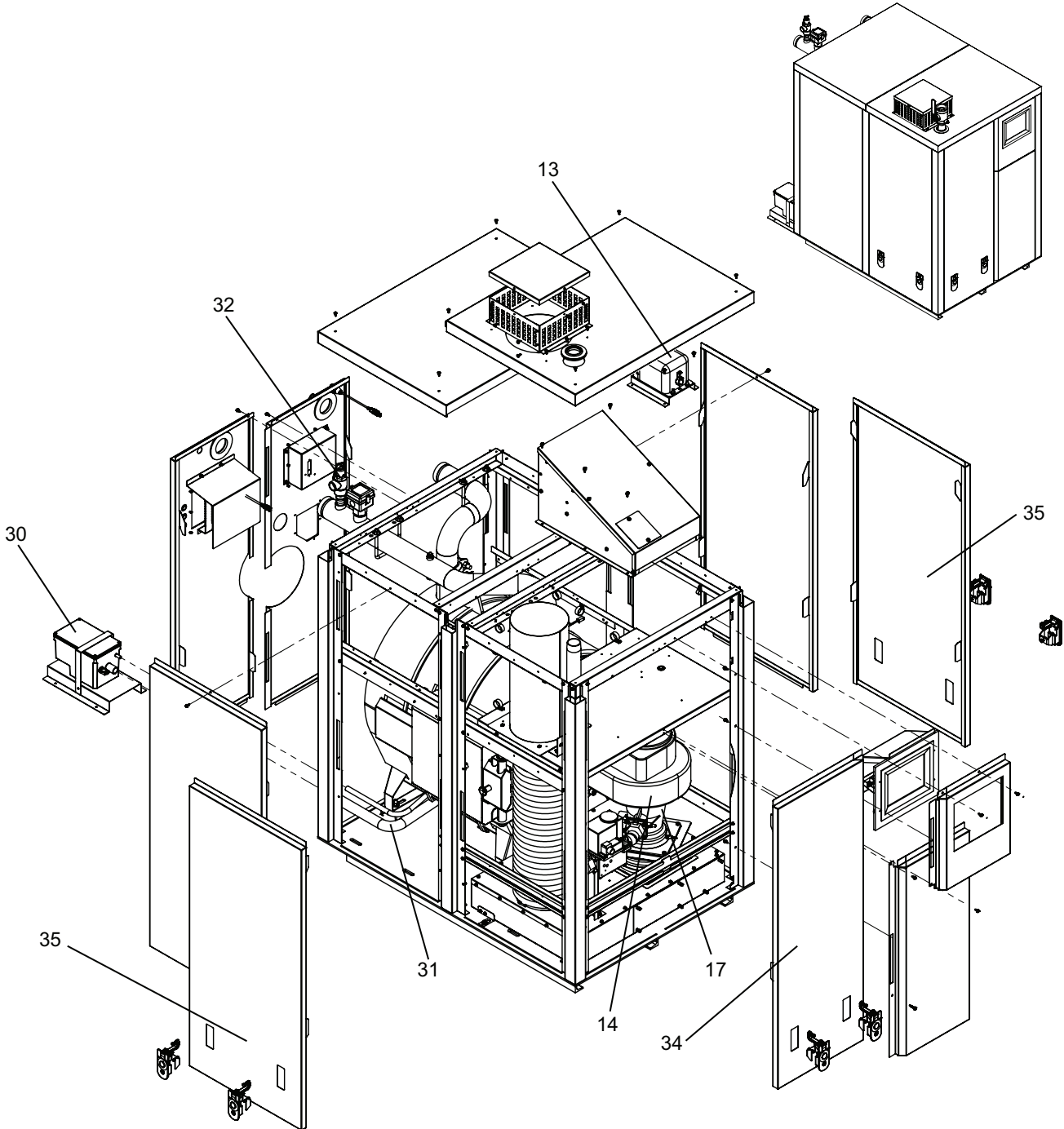


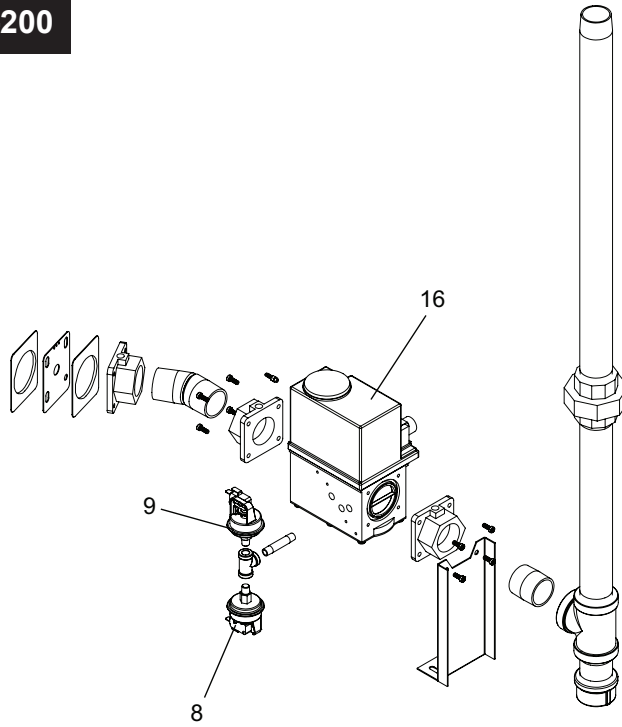


Replacement Parts List

XP Plus Condensing Water Heater PWH1250 - 4000 Series 100 & 101

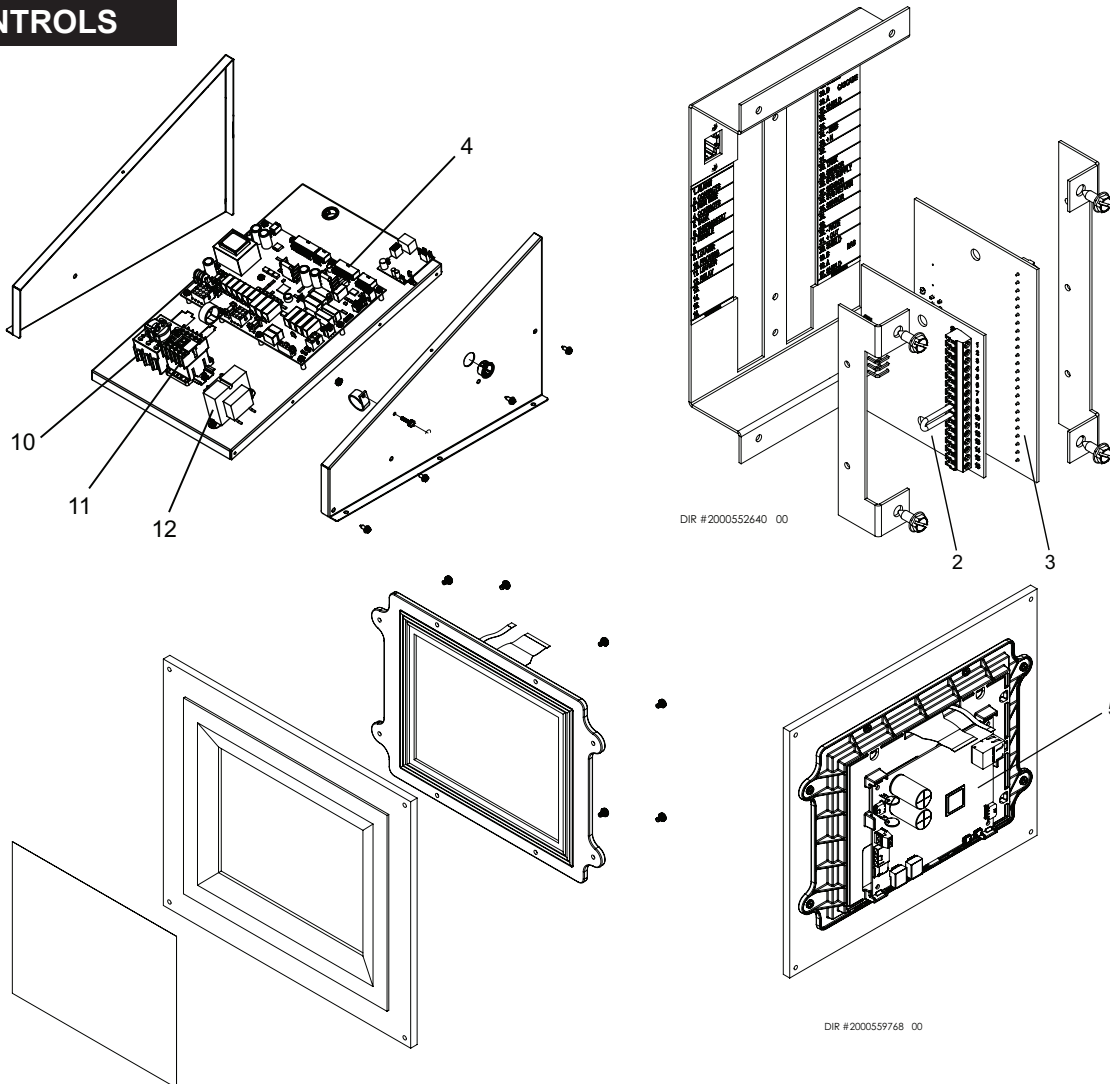


GAS TRAIN 151-200



DIR #2000548918 00

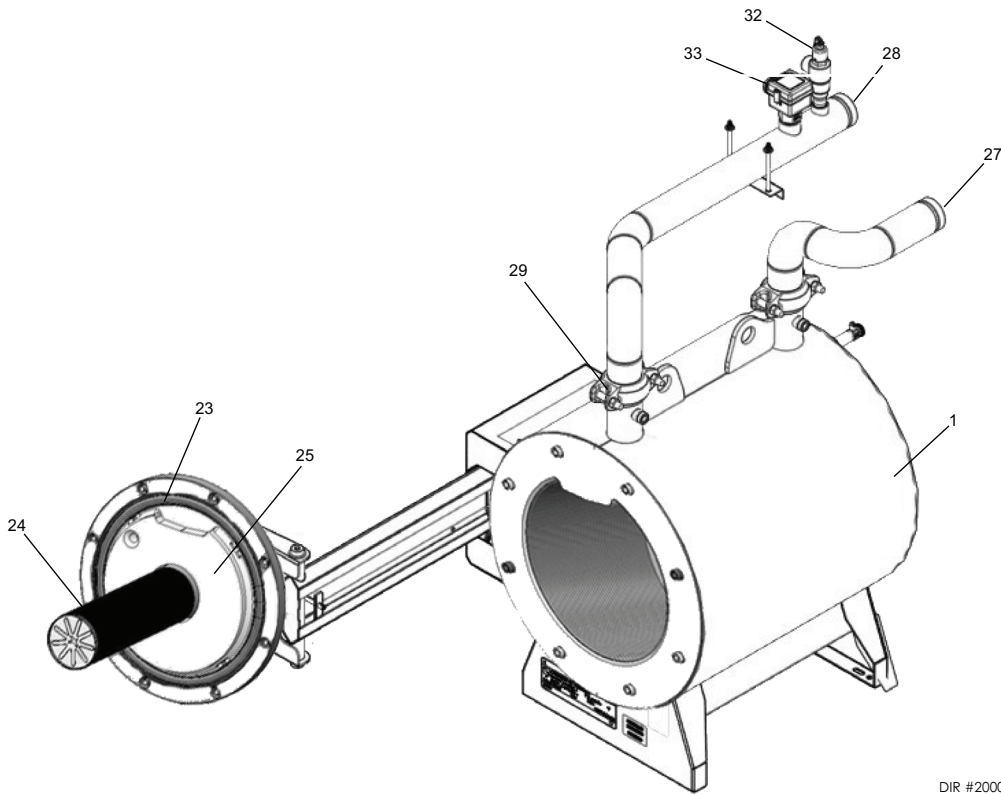
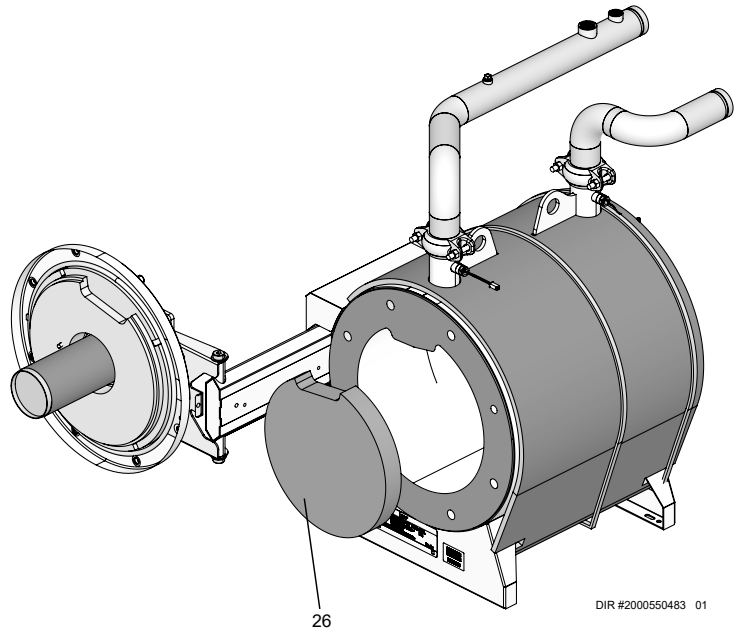
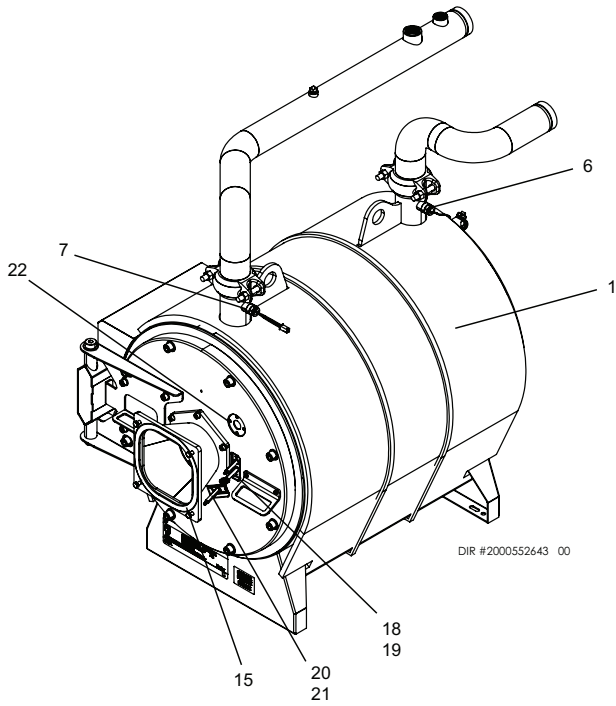
CONTROLS



DIR #2000552640 00

DIR #2000559768 00

HEAT EXCHANGER



ITEM NO.	PART NO.	DESCRIPTION	MODEL
HEAT EXCHANGER ASSEMBLIES			
1	100307240	HEAT EXCHANGER ASSEMBLY	PWH1250
1	100307271	HEAT EXCHANGER ASSEMBLY	PWH1500
1	100307272	HEAT EXCHANGER ASSEMBLY	PWH2000
1	100354155	HEAT EXCHANGER ASSEMBLY	PWH3000
1	100354157	HEAT EXCHANGER ASSEMBLY	PWH4000
CONTROLS			
2	100307275*	LOW VOLTAGE CONNECTION BOARD, 1 - 16	ALL
3	100307276*	LOW VOLTAGE CONNECTION BOARD, 17 - 40	ALL
4	100307277*	CONTROL BOARD - MAIN	ALL
5	100311039*	DISPLAY ASSEMBLY INTERFACE	ALL
6	100307280*	SENSOR, INLET	ALL
7	100307281*	SENSOR, OUTLET	ALL
-	100307282*	SENSOR, FLUE W/ GROMMET	ALL
8	100307283*	GAS PRESSURE SWITCH - HIGH	ALL
9	100307580*	GAS PRESSURE SWITCH - LOW	ALL
10	100307285	SWITCH, POWER ON/OFF	PWH1250 - 1500
10	100307577	SWITCH, POWER ON/OFF	PWH2000 - 4000
11	100307575*	RELAY CONTACTOR	PWH2000 - 4000
12	100307578	TRANSFORMER, 120 VAC X 24 VAC X 40 VA, 60 HZ	ALL
13	100326991	TRANSFORMER, SPARK	ALL
GAS TRAIN			
14	100307571	FAN W/ GASKETS	PWH1250 - 1500
14	100307572	FAN W/ GASKETS	PWH2000 - 3000
14	100307573	FAN W/ GASKETS	PWH4000
15	100307606*	GASKET, BLOWER	ALL
-	100307583*	GASKET, BLOWER	PWH4000
16	100307559	GAS VALVE W/ GASKET	PWH1250 - 2000
16	100307581	GAS VALVE W/ GASKET	PWH3000 - 4000
17	100307584	VENTURI W/ GASKET	PWH1250 - 1500
17	100307574	VENTURI W/ GASKET	PWH2000 - 4000
IGNITION & BURNER ASSEMBLIES			
18	100307607*	IGNITOR W/ GASKET & SCREWS	ALL
19	100307608*	GASKET, IGNITOR	ALL
20	100307609*	FLAME SENSOR W/ GASKET & SCREWS	ALL
21	100307610*	GASKET, FLAME SENSOR	ALL
22	100307611	GASKET, SIGHT GLASS	ALL
23	100307612	GASKET, DOOR, ROPE	PWH1250 - 2000
23	100307613	GASKET, DOOR, ROPE	PWH3000 - 4000
-	100307614	GASKET, DOOR, O-RING	PWH1250 - 2000
-	100307615	GASKET, DOOR, O-RING	PWH3000 - 4000
24	100307628	BURNER W/ GASKETS	PWH1250
24	100307629	BURNER W/ GASKETS	PWH1500
24	100307630	BURNER W/ GASKETS	PWH2000
24	100307631	BURNER W/ GASKETS	PWH3000
24	100307632	BURNER W/ GASKETS	PWH4000
-	100307585*	GASKET, BURNER	PWH1250 - 2000
-	100307586*	GASKET, BURNER	PWH3000 - 4000
25	100307633	INSULATION, BURNER DOOR	PWH1250 - 2000
25	100307634	INSULATION, BURNER DOOR	PWH3000 - 4000
26	100348203	INSULATION, REAR	PWH 1250 - 2000
26	100348204	INSULATION, REAR	PWH 3000 - 4000

PLEASE HAVE SERIAL NUMBER AVAILABLE WHEN ORDERING PARTS
*ITEMS DENOTE SUGGESTED INVENTORY PARTS

ITEM NO.	PART NO.	DESCRIPTION	MODEL
MISCELLANEOUS			
27	100307627	WATER PIPE, INLET	PWH1250 - 2000
27	100307626	WATER PIPE, INLET	PWH3000 - 4000
28	100307625	WATER PIPE, OUTLET	PWH1250
28	100307624	WATER PIPE, OUTLET	PWH1500
28	100307623	WATER PIPE, OUTLET	PWH2000
28	100307622	WATER PIPE, OUTLET	PWH3000
28	100307621	WATER PIPE, OUTLET	PWH4000
29	100307620	COUPLING, WATER PIPE	PWH1250 - 2000
29	100307619	COUPLING, WATER PIPE	PWH3000 - 4000
30	100307618	CONDENSATE TRAP ASSEMBLY	ALL
31	100307617	HOSE, CONDENSATE TRAP	PWH1250 - 2000
31	100307616	HOSE, CONDENSATE TRAP	PWH3000 - 4000
32	100307605	VALVE, RELIEF - 150 PSI	PWH1250 - 1500
32	100307603	VALVE, RELIEF - 150 PSI	PWH2000
32	100307602	VALVE, RELIEF - 150 PSI	PWH3000 - 4000
33	100112867	FLOW SWITCH	ALL
-	100307560*	KIT, TANK SENSOR	ALL
-	100307601	HARNESS, SPARK IGNITOR	PWH1250 - 2000
-	100307600	HARNESS, SPARK IGNITOR	PWH3000 - 4000
-	100307599	HARNESS, FLAME SENSOR	ALL
-	100307598	HARNESS, ELECTRODE, GROUND	ALL
-	100307597	HARNESS, RIBBON CABLE	ALL
-	100307596*	FUSE, 1.25A / 250V	ALL
-	100307595*	FUSE, 3.15A / 250V	ALL
-	100307594*	FUSE, 5.00A / 250V	ALL
PUMPS			
-	100307593	PUMP, STANDARD	PWH1250 - 1500
-	100307592	PUMP, STANDARD	PWH2000
-	100307591	PUMP, STANDARD	PWH3000 - 400
-	100307590	PUMP, UPSIZED	PWH1250 - 1500
-	100307589	PUMP, UPSIZED	PWH2000
JACKET ASSEMBLIES			
34	100307588	JACKET, FRONT LEFT	PWH1250 - 200
34	100307582	JACKET, FRONT LEFT	PWH3000 - 4000
35	100307587	JACKET, FRONT SIDE	PWH1250
35	100307299	JACKET, FRONT SIDE	PWH1500
35	100307298	JACKET, FRONT SIDE	PWH2000
35	100307297	JACKET, FRONT SIDE	PWH3000
35	100307296	JACKET, FRONT SIDE	PWH4000
OPTION KITS			
-	100307295	KIT, LP CONVERSION	PWH1250 - 1500
-	100307294	KIT, LP CONVERSION	PWH2000
-	100307293	KIT, LP CONVERSION	PWH3000
-	100307292	KIT, LP CONVERSION	PWH4000
-	100307291	KIT, OUTDOOR	PWH1250
-	100307290	KIT, OUTDOOR	PWH1500
-	100307289	KIT, OUTDOOR	PWH2000
-	100307288	KIT, OUTDOOR	PWH3000
-	100307287	KIT, OUTDOOR	PWH4000

PLEASE HAVE SERIAL NUMBER AVAILABLE WHEN ORDERING PARTS
*ITEMS DENOTE SUGGESTED INVENTORY PARTS

Notes

Notes

